

EXCEL

SPRING & STAMPING, INC.

Excel Spring & Stamping
 1080 Industrial Dr.
 Bensenville, IL 60106-1215

Ph: 630-595-8585 Fax: 630-595-0029

Quotation	
Number: 62028	Date: 10-Nov-16

To

Mike Gentry , TX USA

Quote To

Mike Gentry , TX USA

Ph:

Fax:

Ph:

Fax:

Terms		Ship Via		Salesperson
1/2% 10 Net 30				
Quantity	Description	Unit Price	Amount	
	In reply to your inquiry, we are pleased to quote as follows: Part: S-100-200-200-9 Rev: 4 *Tremelo Spring			
2		\$40.00000 / each	\$80.00	
100		\$15.00000 / each	\$1,500.00	
200		\$11.00000 / each	\$2,200.00	
	Material: .022+- .001 thick C1095 Annealed Spring Steel Heat Treat: Austemper to RC 48-52 Finish: Zinc Plate & Bake & Trivalent Black Chromate Prices quoted are valid for 30 days. Any questions or comments regarding this quote can be directed to: Mary-Kate Karkowski Phone: 630-595-8585 x119 Email: mary-kate@excelspring.com Form F120			

EXCEL

SPRING & STAMPING, INC.

Excel Spring & Stamping
 1080 Industrial Dr.
 Bensenville, IL 60106-1215

Ph: 630-595-8585 Fax: 630-595-0029

Quotation

Number: 62029 **Date:** 10-Nov-16

To
 Mike Gentry
 , TX USA

Quote
 To
 Mike Gentry
 , TX USA

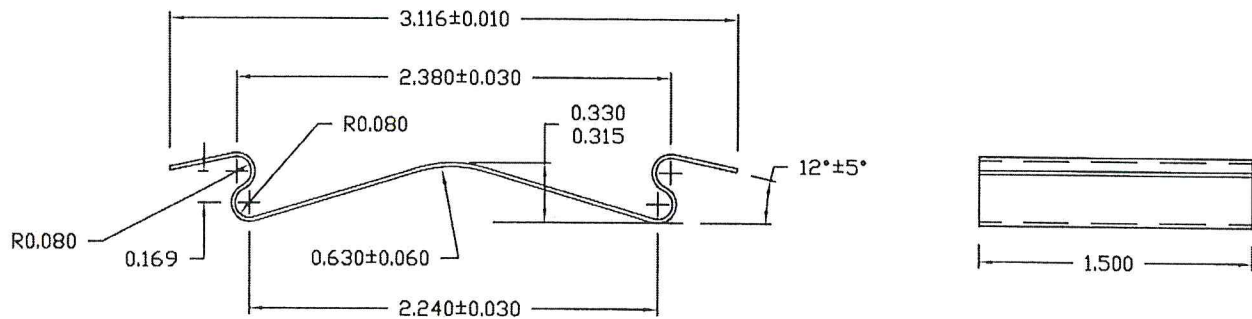
Ph:

Fax:

Ph:

Fax:

Terms		Ship Via		Salesperson
1/2% 10 Net 30				
Quantity	Description	Unit Price	Amount	
	In reply to your inquiry, we are pleased to quote as follows: Part: S-100-200-200-10 Rev: 3 *Tremelo Spring			
2		\$40.00000 / each	\$80.00	
100		\$15.00000 / each	\$1,500.00	
200		\$11.00000 / each	\$2,200.00	
	Material: .024+- .001 thick C1095 Annealed Spring Steel Heat Treat: Austemper to RC 50-54 Finish: Zinc Plate & Bake & Trivalent Black Chromate Prices quoted are valid for 30 days. Any questions or comments regarding this quote can be directed to: Mary-Kate Karkowski Phone: 630-595-8585 x119 Email: mary-kate@excelspring.com Form F120			



1/15/08
05/21/10

REV.	DATE	BY	DESCRIPTION OF REVISION
4	04/29/08	JB	0.330/0.315 WAS 0.310±0.020
3	04/04/08	JB	0.310±0.020 WAS 0.300±0.030
2	03/07/08	JB	REDESIGN
1	11/08/07	JB	ADDED TOLERANCE 0.280±0.030

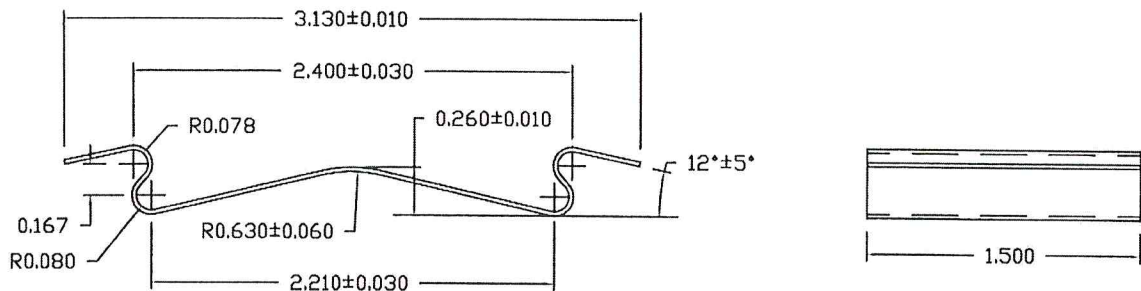
NOTES:

HEAT TREAT TO RC 48/52
FINISH: ZINC & BAKE & TRIVALENT
BLACK CHROMATE

PRINT APPROVED BY: _____
TITLE: _____
DATE: _____

TOLERANCE (UNLESS OTHERWISE SPECIFIED)					CUSTOMER: U.S.MUSIC CORP.	
DEC.	IN	MM			DWG. NO: S-100-200-200-9	
1PL±			DES. BY:	DATE:	PART NAME: FLAT SPRING	
2PL±			DRAWN BY:	DATE:	SCALE: 1:1	
3PL±	0.010		CHECKED BY:	DATE:	MATERIAL: .022 THICK C1095 ANNEALED SPRING STEEL	
FRACT. ±			APPROVED BY:	DATE:		
ANGLE ±						

THIS DOCUMENT IS AND CONTAINS CONFIDENTIAL INFORMATION AND CAN NOT BE REPRODUCED WITHOUT WRITTEN PERMISSION FROM EXCEL SPRING & STAMPING, INC.



05/21/10

NOTES:

HEAT TREAT TO RC 50-54
 FINISH: ZINC & BAKE & TRIVALENT
 BLACK CHROMATE

PRINT APPROVED BY: _____
 TITLE: _____
 DATE: _____

REV.	DATE	BY	DESCRIPTION OF REVISION
3	08/04/08	JB	HEAT TREAT TO RC 50-54, WAS 48-52
2	06/20/08	JB	REDESIGNED
1	11/08/07	JB	RELEASE FOR PRODUCTION

TOLERANCE (UNLESS OTHERWISE SPECIFIED)					CUSTOMER: U.S.MUSIC CORP.	
DEC.	IN	MM			DWG. NO: S-100-200-200-10	
1PL±			DES. BY: JOE B		PART NAME: FLAT SPRING	
2PL±			DATE: 11/08/07		SCALE:	
3PL±	0.010		CHECKED BY:		MATERIAL: .024 THICK C1095 ANNEALED SPRING STEEL	
FRACT. ±			APPROVED BY:			
ANGLE ±			DATE:			

THIS DOCUMENT IS AND CONTAINS CONFIDENTIAL INFORMATION AND CAN NOT BE REPRODUCED WITHOUT WRITTEN PERMISSION FROM EXCEL SPRING & STAMPING, INC.